



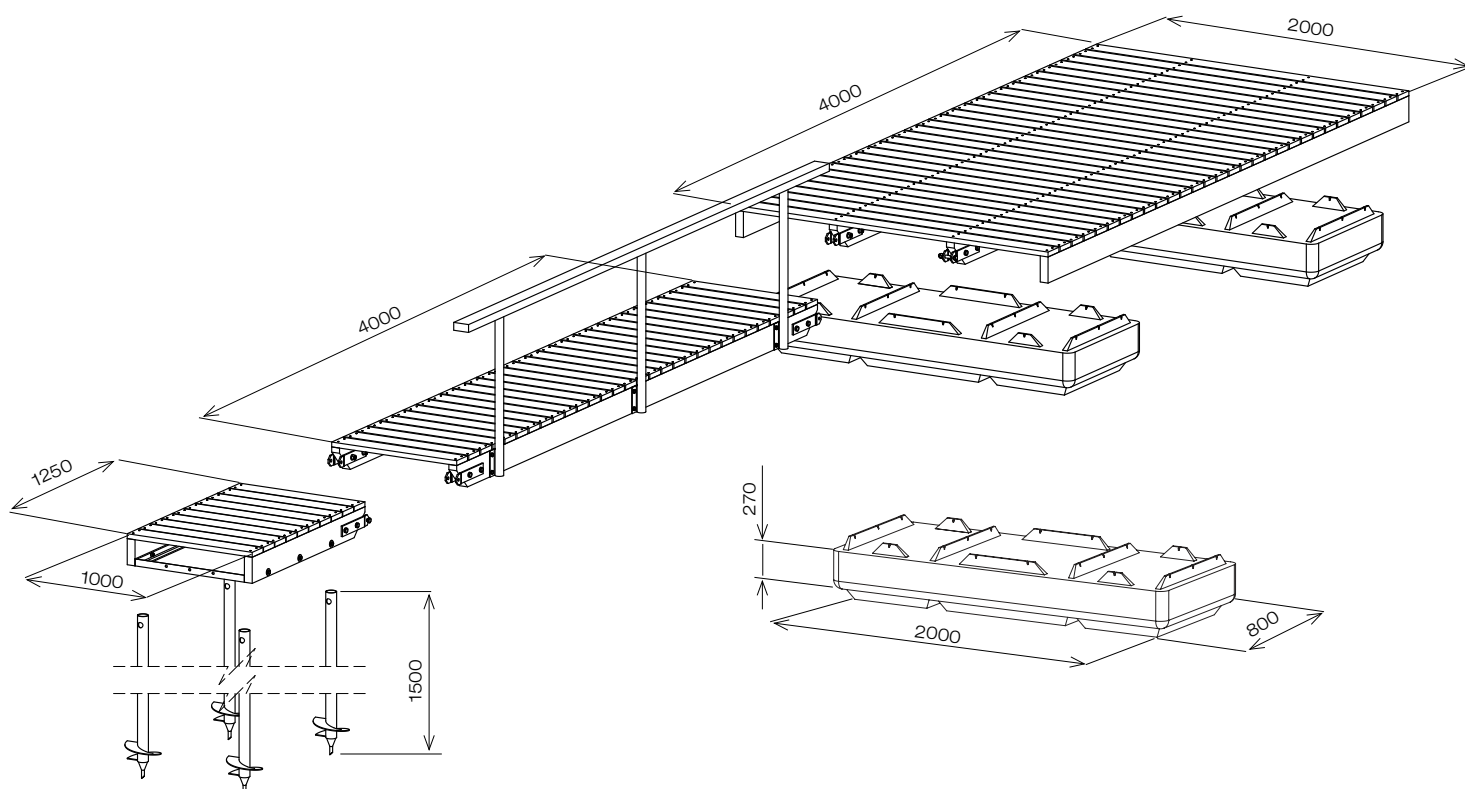
Swimming Pontoon ECO

Light swimming pontoons with plastic floats suitable for the beaches of inland water bodies



Swimming Pontoon ECO

Swimming Pontoon ECO	Easy to transport and install.
Construction	Impregnated wood frame and profiled decking.
Plastic floats ECO	Durable plastic floats with a bearing capacity of 400 kg.
Accessories	Railing, mooring rings, fenders, swimming ladder
Applications area	Serves as a swimming pontoon for inland beaches and swimming areas. Can be dismantled for winter.



Technical specifications of the swimming pontoon ECO:

Item code	0510
Bearing capacity	0,77 kN/m ²
Plastic floats ECO	2 x 400 l
Freeboard	0,3 m
Weight of the pontoon	254 kg
Dimensions of pontoon	2,0 x 4 m
Dimensions of access bridge	1,0 x 4 m
Abutment	Abutment on screw piles/concrete abutment.
Anchoring	Concrete anchors with chains or pile fastening.

Top Marine
Marine Products

OÜ Top Marine
Phone +372 5304 4000
Fax +372 656 0520

Tule 21, Saue 76505 ESTONIA
e-mail: info@topmarine.ee
www.topmarine.eu

Representative: