

Top Marine

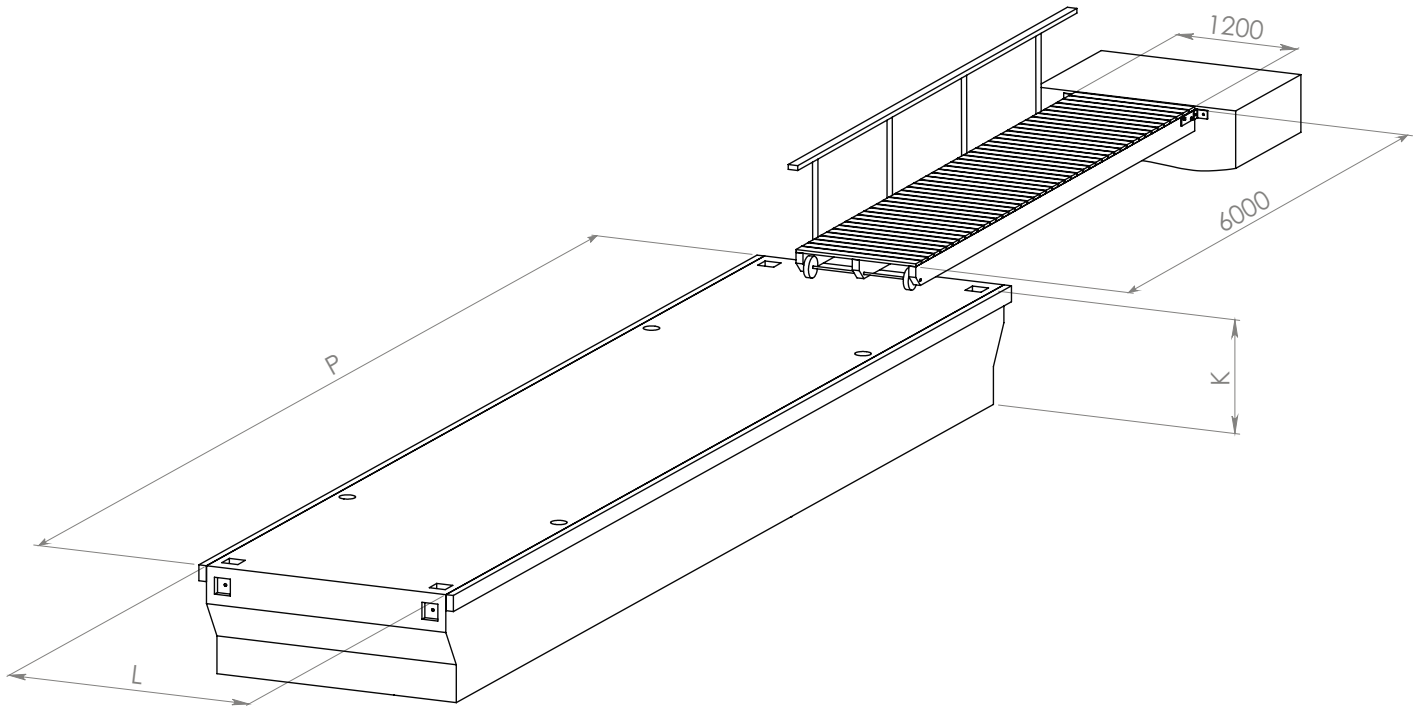
Marine Products



Heavy Duty Pontoons

Heavy Duty pontoons

Heavy duty pontoon	High-stability heavy duty concrete pontoon for year-round use
Intended use	As breakwaters, jetties, for houseboats
Structural design	Reinforced concrete, EPS foam floats, heavy-duty rubber joints
Anchorage	Anchored with chains and concrete anchoring; or using columns
Accessories	Wood decking, fenders, boom fastenings, service channels



Technical data of heavy duty pontoons:

Item code	0430	0420
Dimensions W x L x H	3,16x9x1,05 m	2,4x12x1,05 m
Bearing capacity	6,3 kN/m ²	6,3 kN/m ²
Weight	12 100 kg	12 800 kg
Freeboard	0,59 m	0,57 m
Allowed wave height	0,5 m	
Allowed flow velocity	1 m/sec	
Allowed icing/ freezing	No ice movement allowed	
Anchoring chain	Ø 20 mm	
Anchorage	2000 kg anchor + 500 kg balance weight	
Vessel fastening	Mooring buoys, mooring fingers, mooring rings	
Vessel dimensions	Yacht length max. 15.2 m (50 feet)	

Top Marine
Marine Products

OÜ Top Marine
Tel +372 565 2268
Faks +372 656 0520

Tule 21, Saue 76505
e-post: info@topmarine.ee
www.topmarine.eu

Representative: